

Planting Rates (Non-CE)

SEED POPULATION PER ACRE - GROUND DRIVE

30 Seeds per Disc

Max. MPH at listed rate and spacing	Sprocket Clusters in the Seed Rate Transmission			Seed Disc 852436 - Small Corn 852435 - Medium Corn/Sunflower 852434 - Large Corn 852437 - Popcorn/Sugar Beets/Sunflower 852439 - Sorghum//Milo/Maize/Sugar Beets 700722998 - Very Small Corn								Avg. Seed Spacing (Inches)
				15 inch	18 inch	19 inch	20 inch	30 inch	36 inch	38 inch	40 inch	
	A	B	C									
4.1	25	28	28	101654	84298	80342	76173	50782	42149	40171	38086	4.1
4.3	25	27	28	97936	81296	77336	73452	48968	40643	38668	36726	4.3
4.4	25	26	28	94310	78277	74470	70732	47155	39138	37235	35366	4.4
4.6	25	25	28	90682	75266	71606	68011	45341	37633	35803	34005	4.6
4.9	25	28	33	86176	71526	68048	64632	43088	35763	34024	32316	4.9
5.0	25	27	33	83098	68971	65618	62323	41549	34485	32809	31161	5.0
5.2	25	26	33	80020	66416	63186	60015	40010	33208	31593	30007	5.2
5.4	25	25	33	76942	63861	60756	57706	38471	31930	30378	28853	5.4
5.6	25	28	38	74836	62113	59094	56127	37418	31056	29547	28063	5.6
5.8	25	27	38	72164	59896	56984	54123	36082	29948	28492	27061	5.8
6.0	25	26	38	69492	57678	54874	52119	34746	28839	27437	26059	6.0
6.3	25	25	38	66818	55458	52762	50113	33409	27729	26381	25056	6.3
6.5	25	28	44	64632	53644	51036	48474	32316	26822	25518	24237	6.5
6.7	25	27	44	62324	51728	49214	46743	31162	25864	24607	23371	6.7
7.0	25	26	44	60016	49813	47392	45012	30008	24906	23696	22506	7.0
7.3	25	25	44	57706	47895	45566	43279	28853	23947	22783	21639	7.3
7.4	45	28	28	56424	46831	44576	42318	28212	23415	22288	21159	7.4
7.7	45	27	28	54408	45158	42982	40806	27204	22579	21491	20403	7.7
8.0	45	26	28	52394	43487	41392	39295	26197	21743	20696	19647	8.0
8.0	45	25	28	50378	41813	39798	37783	25189	20906	19899	18891	8.3
8.0	45	28	33	47874	39735	37820	35905	23937	19867	18910	17952	8.7
8.0	45	27	33	46164	38316	36470	34623	23082	19158	18235	17311	9.1
8.0	45	26	33	44454	36896	35118	33340	22227	18448	17559	16670	9.4
8.0	45	25	33	42744	35477	33768	32058	21372	17738	16884	16029	9.8
8.0	45	28	38	41574	34506	32844	31180	20787	17253	16422	15590	10.1

Planting Rates (Non-CE)

30 Seeds per Disc (Continued)

Max. MPH at listed rate and spacing	Sprocket Clusters in the Seed Rate Transmission			Seed Disc 852436 - Small Corn 852435 - Medium Corn/Sunflower 852434 - Large Corn 852437 - Popcorn/Sugar Beets/Sunflower 852439 - Sorghum/Milo/Maize/Sugar Beets 700722998 - Very Small Corn								Avg. Seed Spacing (inches)
	A	B	C	15 inch	18 inch	19 inch	20 inch	30 inch	36 inch	38 inch	40 inch	
8.0	45	27	38	40090	33274	31672	30067	20045	16637	15836	15033	10.4
8.0	45	26	38	38600	32038	30494	28950	19300	16019	15247	14475	10.8
8.0	45	25	38	37122	30811	29326	27841	18561	15405	14663	13920	11.3
8.0	45	28	44	35906	29801	28366	26929	17953	14900	14183	13464	11.6
8.0	45	27	44	34624	28737	27352	25968	17312	14368	13676	12984	12.1
8.0	45	26	44	33342	27673	26340	25006	16671	13836	13170	12503	12.5
8.0	45	25	44	32060	26609	25326	24045	16030	13304	12663	12022	13.0

FIG. 130: List of sprocket clusters:

- (1) Sprocket Cluster A
- (2) Sprocket Cluster B
- (3) Sprocket Cluster C

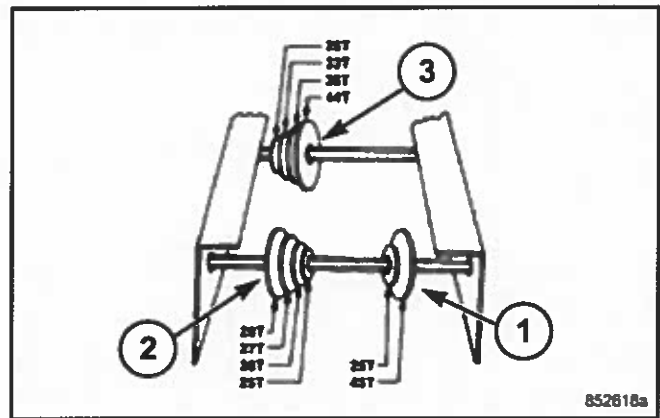


FIG. 130

Rate chart is based on a 98 inch forward travel for each revolution of 9.5L x 15 inch implement tire.

NOTE: This can vary due to tillage practices, soil types, tire air pressure, ground speed, and planter size which affect the distance traveled per revolution of the planter drive tires. Transmission settings can require adjustments to compensate for individual planter characteristics.

Consult seed supplied for population and seed spacing recommendations.

To prevent miscalculations, make field checks to be certain of planting at the desired rate. Check actual seeds planted over a measured distance to determine actual spacing and population. The operator is responsible for making sure the desired population is planted.

Planting Rates (Non-CE)

50 Seeds per Disc

Max MPH at listed rate and spacing	Sprocket Clusters in the Seed Rate Transmission			Seed Disc 852441 - Edible Bean								Avg. Seed Spacing (inches)
	A	B	C	15 inch	18 inch	19 inch	20 inch	30 inch	36 inch	38 inch	40 inch	
4.1	25	28	28	169611	140776	134171	127207	84805	70388	67085	63603	2.46
4.3	25	27	28	163553	135748	129150	122664	81776	67874	64575	61332	2.58
4.4	25	26	28	157496	130721	124364	118133	78748	65360	62182	59061	2.64
4.6	25	25	28	151438	125693	119582	113578	75719	62846	59791	56789	2.76
4.9	25	28	33	143913	119446	113640	107934	71956	59723	56820	53967	2.94
5.0	25	27	33	138773	115180	109582	104079	69386	57590	54791	52039	3.00
5.2	25	26	33	133633	110914	105520	100224	66816	55457	52760	50112	3.12
5.4	25	25	33	128493	106648	101462	96369	64246	53324	50731	48184	3.24
5.6	25	28	38	124976	103730	98686	93732	62488	51865	49343	46866	3.36
5.8	25	27	38	120513	100024	95163	90384	60256	50012	47581	45192	3.48
6.0	25	26	38	116051	96321	95163	87037	58025	48160	45819	43518	3.60
6.3	25	25	38	111586	92616	88112	83689	55793	46308	44056	41844	3.78
6.5	25	28	44	107935	89585	85230	80950	53967	44792	42615	40475	3.90
6.7	25	27	44	104081	86386	82187	78060	52040	43193	41093	39030	4.02
7.0	25	26	44	100226	83187	79144	75169	50113	41593	39572	37584	4.20
7.3	25	25	44	96369	79985	76095	72276	48184	39992	38047	36138	4.38
8.0	48	25	33	71382	59247	56392	53536	35691	29623	28196	26768	5.88
8.0	48	28	38	69428	57625	54849	52071	34714	28812	27424	26035	6.10
8.0	48	27	38	68950	55568	52892	50212	33475	27784	26446	25106	6.24
8.0	48	26	38	64462	53503	50924	48346	32231	26751	25462	24173	6.48
8.0	48	25	38	61993	51453	48974	46494	30996	25726	24487	23247	6.78
8.0	48	28	44	59963	49768	47371	44971	29981	24884	23685	22485	6.96
8.0	48	27	44	57822	47992	45677	43366	28911	23996	22838	21683	7.26
8.0	48	26	44	55681	46214	43987	41760	27840	23107	21993	20880	7.50
8.0	48	25	44	53540	44438	42294	40155	26770	22219	21147	20077	7.80

Planting Rates (Non-CE)

50 Seeds per Disc (Continued)

Max MPH at listed rate and spacing	Sprocket Clusters in the Seed Rate Transmission			Seed Disc 852441 - Edible Bean								Avg. Seed Spacing (inches)
	A	B	C	15 inch	18 inch	19 inch	20 inch	30 inch	36 inch	38 inch	40 inch	
7.4	48	28	28	94228	78209	74441	70671	47114	39104	37220	35335	4.44
7.7	48	27	28	90861	75413	71779	68145	45430	37706	35889	34072	4.66
8.0	48	26	28	87497	72621	69124	65622	43748	36310	34562	32811	4.80
8.0	48	25	28	84131	69827	66462	63097	42065	34913	33231	31548	4.98
8.0	48	28	33	79949	66356	63159	59961	39974	33178	31579	29980	5.22
8.0	48	27	33	77093	63986	60904	57819	38546	31993	30452	28909	5.46
8.0	48	26	33	74238	61617	58647	55678	37119	30808	29323	27839	5.64

FIG. 131: List of sprocket clusters:

- (1) Sprocket Cluster A
- (2) Sprocket Cluster B
- (3) Sprocket Cluster C

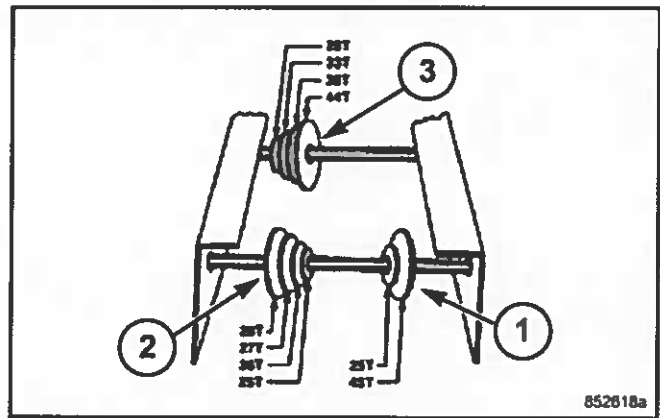


FIG. 131

Rate chart is based on a 98 inch forward travel for each revolution of 9.5L x 15 inch implement tire.

NOTE: This can vary due to tillage practices, soil types, tire air pressure, ground speed, and planter size which affect the distance traveled per revolution of the planter drive tires. Transmission settings can require adjustments to compensate for individual planter characteristics.

Consult seed supplied for population and seed spacing recommendations.

To prevent miscalculations, make field checks to be certain of planting at the desired rate. Check actual seeds planted over a measured distance to determine actual spacing and population. The operator is responsible for making sure the desired population is planted.

Planting Rates (Non-CE)

60 Seeds per Disc

Max. MPH at listed rate and spacing	Sprocket Clusters in the Seed Rate Transmission			Seed Disc - 852433 - Soybeans 852438 - Cotton/Sugar Beets 854048 - Snap Beans								Avg. Seed Spacing (inches)
				A	B	C	15 inch	18 inch	19 inch	20 inch	30 inch	
4.1	25	28	28	203128	168596	160684	152346	101564	84298	80342	76173	2.05
4.3	25	27	28	195872	162573	154672	146904	97936	81286	77336	73452	2.15
4.4	25	26	28	188620	156554	148940	141465	94310	78277	74470	70732	2.20
4.6	25	25	28	180620	149914	143212	135465	90310	74957	71606	67732	2.30
4.9	25	28	33	172352	143052	136096	129265	86176	71526	68048	64632	2.45
5.0	25	27	33	166196	137942	131236	124647	83098	68971	65618	62323	2.50
5.2	25	26	33	160040	132833	126372	120030	80020	66416	63186	60015	2.60
5.4	25	25	33	153884	127723	121512	115413	76942	63861	60756	57706	2.70
5.6	25	28	38	149672	124227	118188	112254	74836	62113	59094	56127	2.80
5.8	25	27	38	144328	119792	113968	108246	72164	59896	56984	54123	2.90
6.0	25	26	38	138984	115356	109748	104238	69492	57678	54874	52119	3.00
6.3	25	25	38	133636	110917	105524	100227	66818	55458	52762	50113	3.15
6.5	25	28	44	129264	107289	102072	96948	64632	53644	51036	48474	3.25
6.7	25	27	44	124648	103457	98428	93486	62324	51728	49214	46741	3.35
7.0	25	26	44	120032	99626	94794	90024	60016	49813	47392	45012	3.50
7.3	25	25	44	115412	95791	91132	86559	57706	47895	45566	43279	3.65
8.0	45	25	33	85488	70955	67536	64116	42744	35477	33768	32058	4.90
8.0	45	28	38	83148	69012	65688	62361	41574	34506	32844	31180	5.10
8.0	45	27	38	80180	66549	63344	60135	40090	33274	31672	30067	5.20
8.0	45	26	38	77200	64076	60988	57900	38600	32038	30494	28950	5.40
8.0	45	25	38	74244	61622	58652	55683	37122	30811	29326	27841	5.65
8.0	45	28	44	71812	59603	56732	53859	35906	29801	28366	26929	5.80
8.0	45	27	44	69248	57475	54704	51936	34624	28737	27352	25968	6.05
8.0	45	26	44	66684	55347	52680	50013	33342	27673	26340	25006	6.25
8.0	45	25	44	64120	53219	50652	48090	32060	26609	25326	24045	6.50

Planting Rates (Non-CE)

60 Seeds per Disc (Continued)

Max. MPH at listed rate and spacing	Sprocket Clusters in the Seed Rate Transmission			Seed Disc - 852433 - Soybeans 852438 - Cotton/Sugar Beets 854048 - Snap Beans								Avg. Seed Spacing (inches)
	A	B	C	15 inch	18 inch	19 inch	20 inch	30 inch	36 inch	38 inch	40 inch	
7.4	45	28	28	112848	93663	89152	84636	56424	46831	44576	42318	3.70
7.7	45	27	28	108816	90317	85964	81612	54408	45158	42982	40806	3.85
8.0	45	26	28	104788	86974	82784	78591	52394	43487	41392	39295	4.00
8.0	45	25	28	100756	83627	79596	75567	50378	41813	39798	37783	4.15
8.0	45	28	33	95748	79470	75640	71811	47874	39735	37820	35905	4.35
8.0	45	27	33	92328	76632	72940	69246	46164	38316	36470	34623	4.55
8.0	45	26	33	88908	73793	70236	66681	44454	36896	35118	33340	4.70

FIG. 132: List of sprocket clusters:

- (1) Sprocket Cluster A
- (2) Sprocket Cluster B
- (3) Sprocket Cluster C

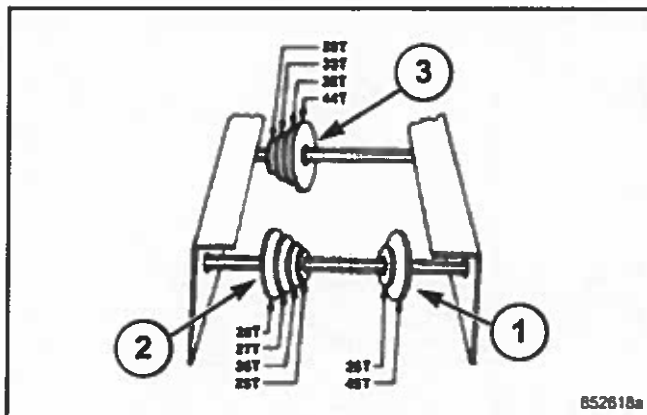


FIG. 132

Rate chart is based on 98 inch forward travel for each revolution of 9.5L x 15 inch implement tire.

NOTE: This can vary due to the tillage practices, soil types, tire air pressure, ground speed, and planter size which affect the distance traveled per revolution of the planter drive tires. Transmission settings can require adjustments to compensate for individual planter characteristics.

Consult seed supplied for population and seed spacing recommendations.

To prevent miscalculations, make field checks to be certain of planting at the desired rate. Check actual seeds planted over a measured distance to determine actual spacing and population. The operator is responsible for making sure the desired population is planted.

Planting Rates (Non-CE)

120 Seeds per Disc

Max. MPH at listed rate and spacing	Sprocket Clusters in the Seed Rate Transmission			Seed Disc - 852440 - Sorghum/Milo								Avg. Seed Spacing (Inches)
				852432 - Soybean/Navy Beans				700722513 - Small Soybean				
	A	B	C	15 inch	18 inch	19 inch	20 inch	30 inch	36 inch	38 inch	40 inch	
4.1	25	28	28	406256	337192	321368	304692	203128	168596	160684	152346	1.03
4.3	25	27	28	391744	325147	309344	293808	195872	162573	154672	146904	1.08
4.4	25	26	28	377240	313109	297880	282930	188620	156554	148940	141465	1.10
4.6	25	25	28	361240	299829	286424	270930	180620	149914	143212	135465	1.15
4.9	25	28	33	344704	286104	272192	258528	172352	143052	136096	129265	1.23
5.0	25	27	33	332392	275885	262472	249294	166196	137942	131326	124647	1.25
5.2	25	26	33	320080	265666	252744	240060	160040	132833	126372	120030	1.30
5.4	25	25	33	307768	255447	243024	230826	153884	127723	121512	115413	1.35
5.6	25	28	38	299344	248455	236376	224508	149672	124227	118188	112254	1.40
5.8	25	27	38	288656	239584	227936	216492	144328	119792	113968	108246	1.45
6.0	25	26	38	277968	230713	219496	208476	138989	115356	109748	104238	1.50
6.3	25	25	38	268272	221835	211048	200454	133636	110917	105524	100227	1.58
6.5	25	28	44	258528	214578	204144	193896	129264	107289	102072	96948	1.63
6.7	25	27	44	249296	206915	196856	186972	124648	103457	98428	93486	1.68
7.0	25	26	44	240064	199253	189568	180048	120032	99626	94704	90024	1.75
7.3	25	25	44	230824	191583	182264	173118	115412	95791	91132	86559	1.83
8.0	45	25	33	170976	141910	135072	128232	85488	70955	67536	64116	2.45
8.0	45	28	38	166296	138025	131376	124722	83148	69012	65688	62361	2.53
8.0	45	27	38	160360	133098	126688	120270	80180	66549	63344	60135	2.60
8.0	45	26	38	154400	128152	121976	115800	77200	64076	60988	57900	2.70
8.0	45	25	38	148488	123245	117304	111366	74244	61622	58652	55683	2.83
8.0	45	28	44	143624	119207	113464	107718	71812	59603	56732	53859	2.90
8.0	45	27	44	138496	114951	109408	103872	69428	57475	54704	51936	3.03
8.0	45	26	44	133368	110695	105360	100026	66684	55347	52680	50013	3.13
8.0	45	25	44	128240	106439	101304	96180	64120	53219	50652	48090	3.25

Planting Rates (Non-CE)

120 Seeds per Disc (Continued)

Rate chart is based on a 98 inch forward travel for each revolution of 9.5L x 15 inch implement tire.

Max. MPH at listed rate and spacing	Sprocket Clusters in the Seed Rate Transmission			Seed Disc - 852440 - Sorghum/Milo 852432 - Soybean/Navy Beans 700722513 - Small Soybean								Avg. Seed Spacing (inches)
	A	B	C	15 inch	18 inch	19 inch	20 inch	30 inch	36 inch	38 inch	40 inch	
7.4	45	28	28	225696	187327	178304	169272	112848	93663	89152	84636	1.85
7.7	45	27	28	217632	180634	171928	163224	108816	90317	85964	81612	1.93
8.0	45	26	28	209576	173948	165568	157182	104788	86974	82784	78591	2.00
8.0	45	25	28	201512	167254	159192	151134	100756	83627	79596	75567	2.08
8.0	45	28	33	191496	158941	151290	143622	95748	79470	75640	71811	2.18
8.0	45	27	33	184656	153264	145880	138492	92328	76632	72940	69246	2.28
8.0	45	26	33	177816	147587	140472	133362	88908	73793	70236	66681	2.35

FIG. 133: List of sprocket clusters:

- (1) Sprocket Cluster A
- (2) Sprocket Cluster B
- (3) Sprocket Cluster C

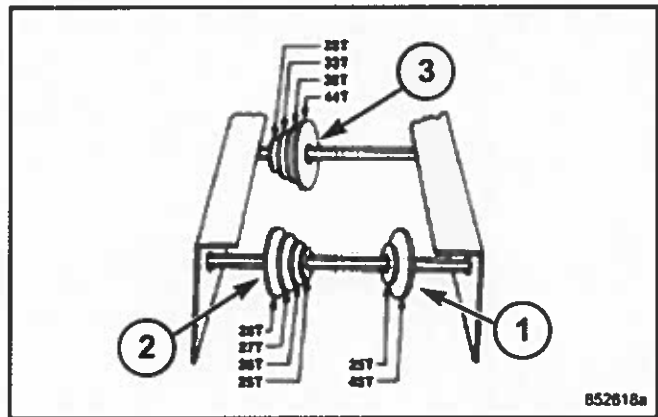


FIG. 133

NOTE: This can vary due to tillage practices, soil types, tire air pressure, ground speed, and planter size which affect the distance traveled per revolution of the planter drive tires. Transmission settings can require adjustments to compensate for individual planter characteristics.

Consult seed supplied for population and seed spacing recommendations.

To prevent miscalculations, make field checks to be certain of planting at the desired rate. Check actual seeds planted over a measured distance to determine actual spacing and population. The operator is responsible for making sure the desired population is planted.